

Submittal Data

60 Cycle



JOB or CUSTOMER:	
ENGINEER:	
CONTRACTOR:	
SUBMITTED BY:	DATE:
APPROVED BY:	DATE:
ORDER NO:	DATE:
SPECIFICATION REF:	

QUANTITY	TAG NO.	MODEL NO.	GPM	FEET	VOLT	PHASE	COMMENTS

Technical Data

FLOW RANGE: 0 – 3 U.S. GPM **MINIMUM FLUID TEMPERATURE:** 36°F (2°C)
HEAD RANGE: 0 – 5.4 Feet **MAXIMUM FLUID TEMPERATURE:** 203°F (95°C)
MOTORS: Single Phase, 115V **MAXIMUM WORKING PRESSURE:** 145 PSI

FOR OPEN SYSTEMS - 140°F (60°C) is the maximum recommended fluid temperature to avoid precipitation of calcium in water.

Ambient Air Temp.	149°F (65°C)	169°F (75°C)
Maximum Water Temp.	203°F (95°C)	176°F (80°C)

MINIMUM REQUIRED INLET PRESSURE:

Temperature	203°F (95°C)	185°F (85°C)
Pressure	9 Ft. (2.8m) 4.0 psi	1.6 Ft. (0.5m) 0.7 psi

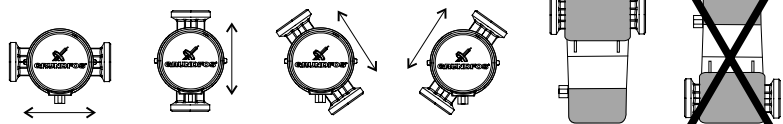
MOTOR: A green light on the motor is on when power is supplied to the pump.
TIMER: 12-hour AM/PM, 20 minute interval.
 3 positions (ON/TIMER/OFF).



Nomenclature

- B** - Brass, lead free pump housing
- 5** - ½" Copper Pipe, Female sweat fittings
- N5** - ½" NPT - Female thread fitting
- U** - Union connection, 1¼" NPSM with Isolation valve & check valve.
- A** - Thermostat
- T** - 12-hour timer
- LC** - Line cord and plug

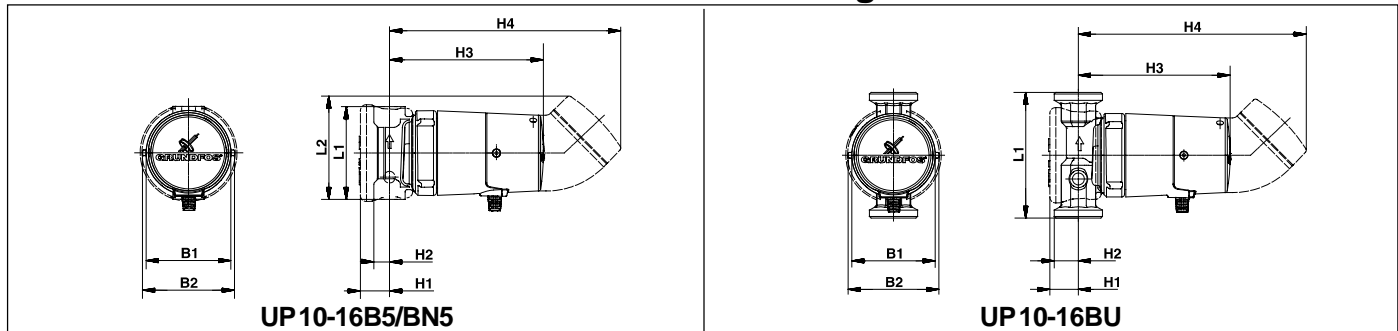
Mounting Positions



FOR INDOOR USE ONLY

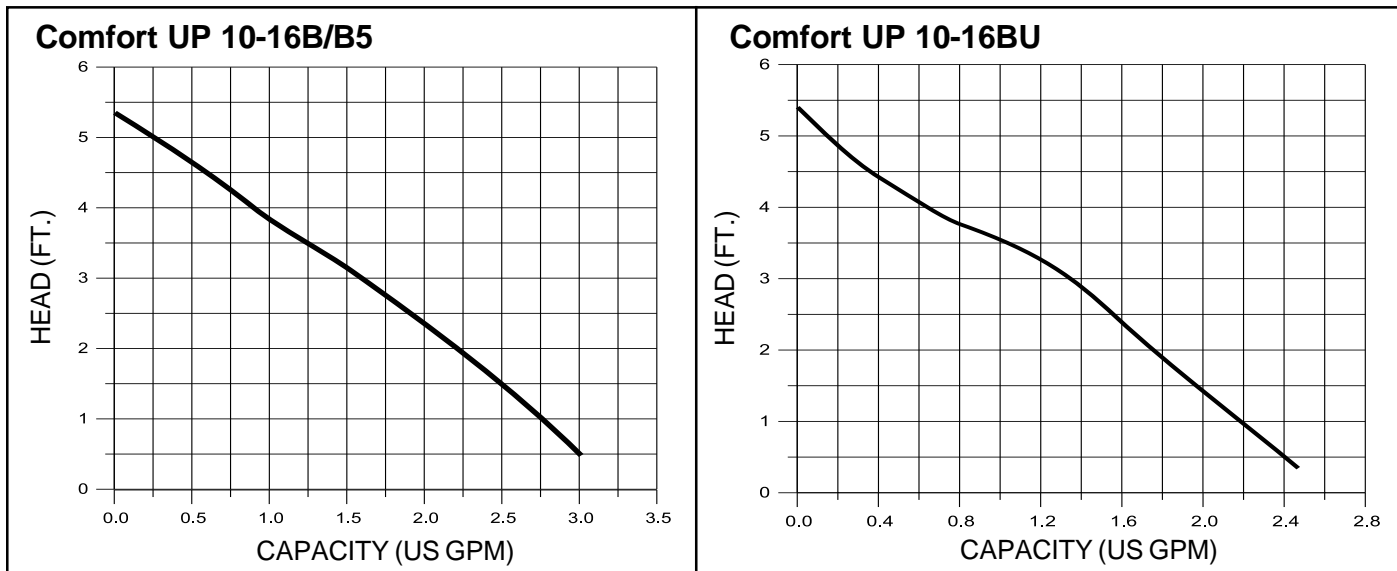
DONOT
Mount in this
Position

Dimensions and Weights



Model Type	L1	L2	H1	H2	H3	H4	B1	B2	Wt. Lbs	Connection
UP 10-16 B5/LC	3 1/8		1	1/2	5 1/4		3	3 1/3	2.9	Sweat 1/2"
UP 10-16 B5/TLC	3 1/8	3 1/2	1	1/2		8 1/16	3	3 1/3	3.4	Sweat 1/2"
UP 10-16 B5/ATLC	3 1/8	3 1/2	1	1/2		8 1/16	3	3 1/3	3.4	Sweat 1/2"
UP 10-16 BN5/LC	3 1/8		1	1/2	5 1/4		3	3 1/3	2.9	NPT 1/2"
UP 10-16 BN5/TLC	3 1/8	3 1/2	1	1/2		8 1/16	3	3 1/3	3.4	NPT 1/2"
UP 10-16 BN5/ATLC	3 1/8	3 1/2	1	1/2		8 1/16	3	3 1/3	3.4	NPT 1/2"
UP 10-16 BU/LC	4 1/3		1	7/8	5 1/4		3	3 1/3	3.4	Union - 1 1/4" NPSM
UP 10-16 BU/TLC	4 1/3		1	7/8		8 1/16	3	3 1/3	3.8	Union - 1 1/4" NPSM
UP 10-16 BU/ATLC	4 1/3		1	7/8		8 1/16	3	3 1/3	3.8	Union - 1 1/4" NPSM

Performance



Electrical Data 1 X 115V

P1 [W]	1 _{1/11} [A]
25	0.23

Electrical connection

The pump is fitted with 5 foot cord & 115V plug.


Motor protection

Impedance-protected. No external motor protection required.

Product Range

Type	Product number	Supplied with			
		12-hour timer	Thermostat	Line cord + plug	Shut-off valve and non-return valve
UP 10-16 B5/LC	96 43 38 94			●	
UP 10-16 B5/TLC	96 43 38 95	●		●	
UP 10-16 B5/ATLC	96 43 38 96	●	●	●	
UP 10-16 BN5/LC	96 43 38 97			●	
UP 10-16 BN5/TLC	96 43 38 98	●		●	
UP 10-16 BN5/ATLC	96 43 38 99	●	●	●	
UP 10-16 BU/LC	96 43 39 00			●	●
UP 10-16 BU/TLC	96 43 39 01	●		●	●
UP 10-16 BU/ATLC	96 43 39 02	●	●	●	●

Thermostat:

The built-in thermostat can be set to stop the pump at a preset liquid temperature. The setting range is 95-150°F. The thermostat function can be interrupted by turning the thermostat to the position . The factory setting of the thermostat is: 95°F (35°C)

Materials of Construction

DESCRIPTION	MATERIAL	DESCRIPTION	MATERIAL
Stator housing	Aluminium	Terminal box cover, Motor Cover	PA66/6
Spherical separator	Stainless steel	Screw	Stainless steel
Rotor can complete	Stainless steel/tungsten carbide	Light	Lexan
Rotor, impeller	Stainless steel, EPDM, PPO, PTFE, graphite	Cable, Cable Relief	PVC
Pump housing	Brass MS 58	Insulating cover	EPP 55
Isolation Valve	PPO	Orings	EPDM
		Check Valve	POM



Grundfos Pumps Corporation • 17100 W. 118th Terrace • Olathe, KS 66061

Phone: 913.227.3400 • Fax: 913.227.3500

Canada: Oakville, Ontario • Mexico: Apodaca, N.L.

Visit our website at www.grundfos.com

